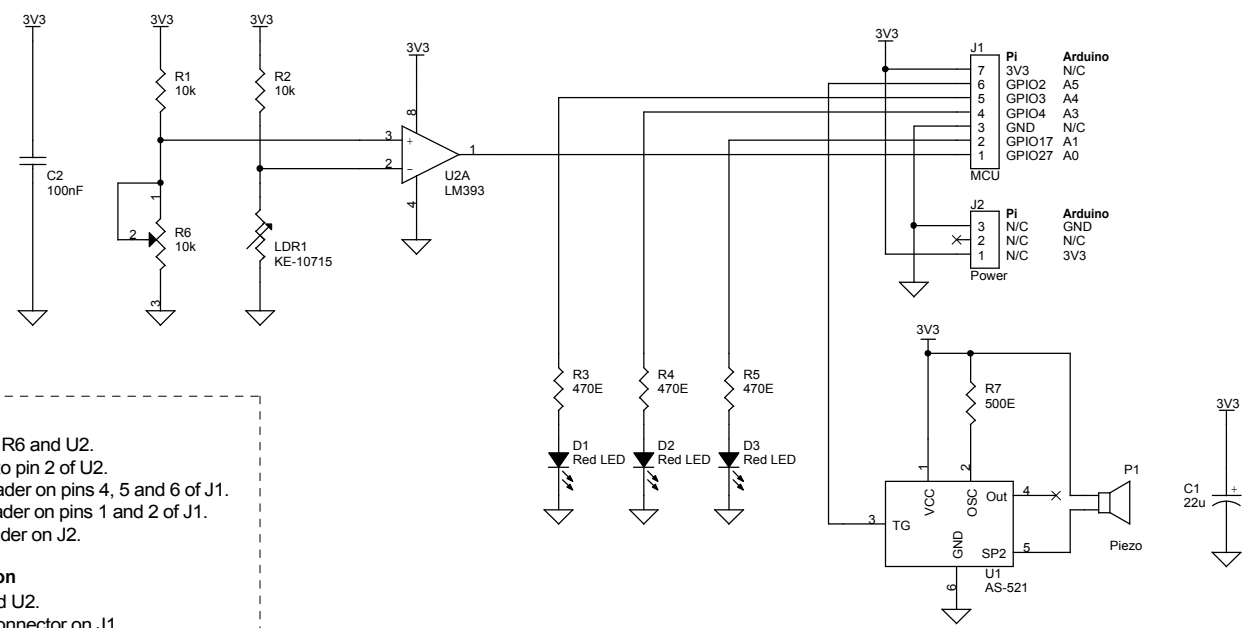


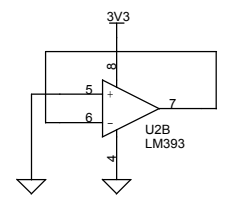
REVISIONS

REV	DESCRIPTION	DRN	DATE	CHK
1.0	Initial Release	KM	14/11/15	TM



Arduino Version
 Do not load C2, R1, R6 and U2.
 Add link from pin 1 to pin 2 of U2.
 Load 3 pin male header on pins 4, 5 and 6 of J1.
 Load 2 pin male header on pins 1 and 2 of J1.
 Load 3 pin male header on J2.

Raspberry Pi Version
 Load C2, R1, R6 and U2.
 Load 7 pin female connector on J1.
 Do not load J2.



AusThai Solutions Co., Ltd

Christmas Soldering Kit

Title: Christmas Soldering Kit

Size: Document Number: KITT002

Date: Tuesday, December 15, 2015

Sheet: 1 of 1

Rev: 1.0