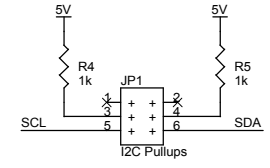
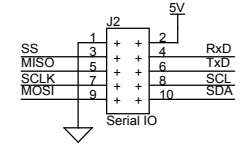
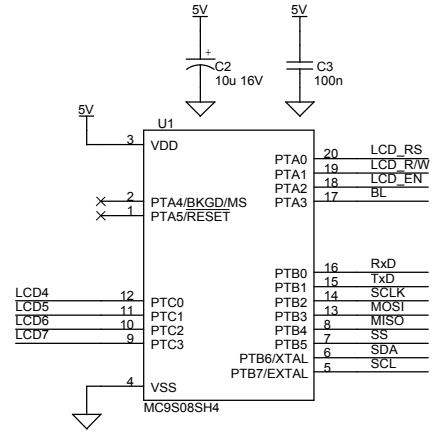
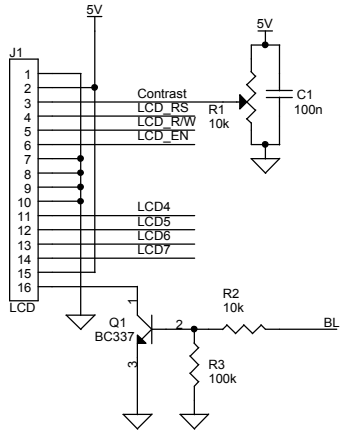
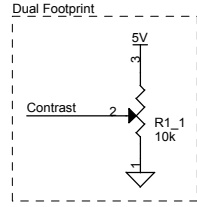



REVISIONS				
REV	DESCRIPTION	DRN	DATE	CHK
0.9	Pre-Release	KM	22/12/14	TM



**AusThai Solutions Co., Ltd** 

Title: **LCD Serial Adaptor**

Size: Document Number  
 B: INH006 LCD Serial Adaptor

Date: Monday, December 22, 2014

Rev: 0.9

Sheet 1 of 1