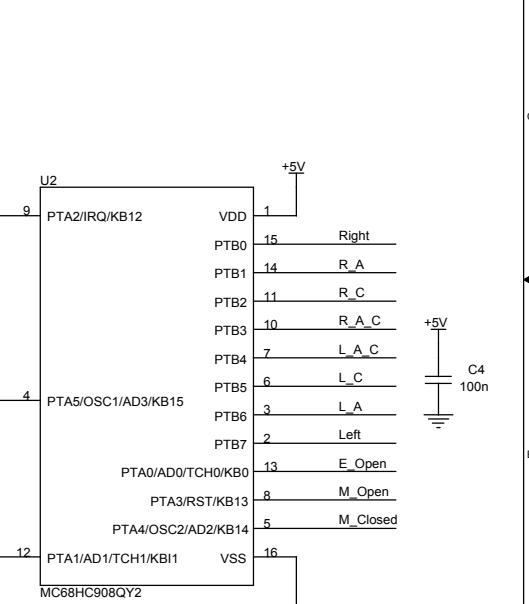
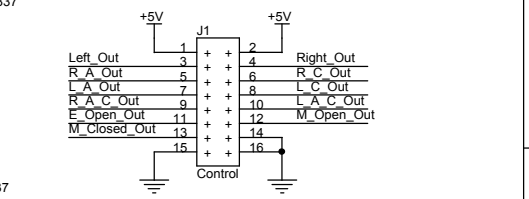
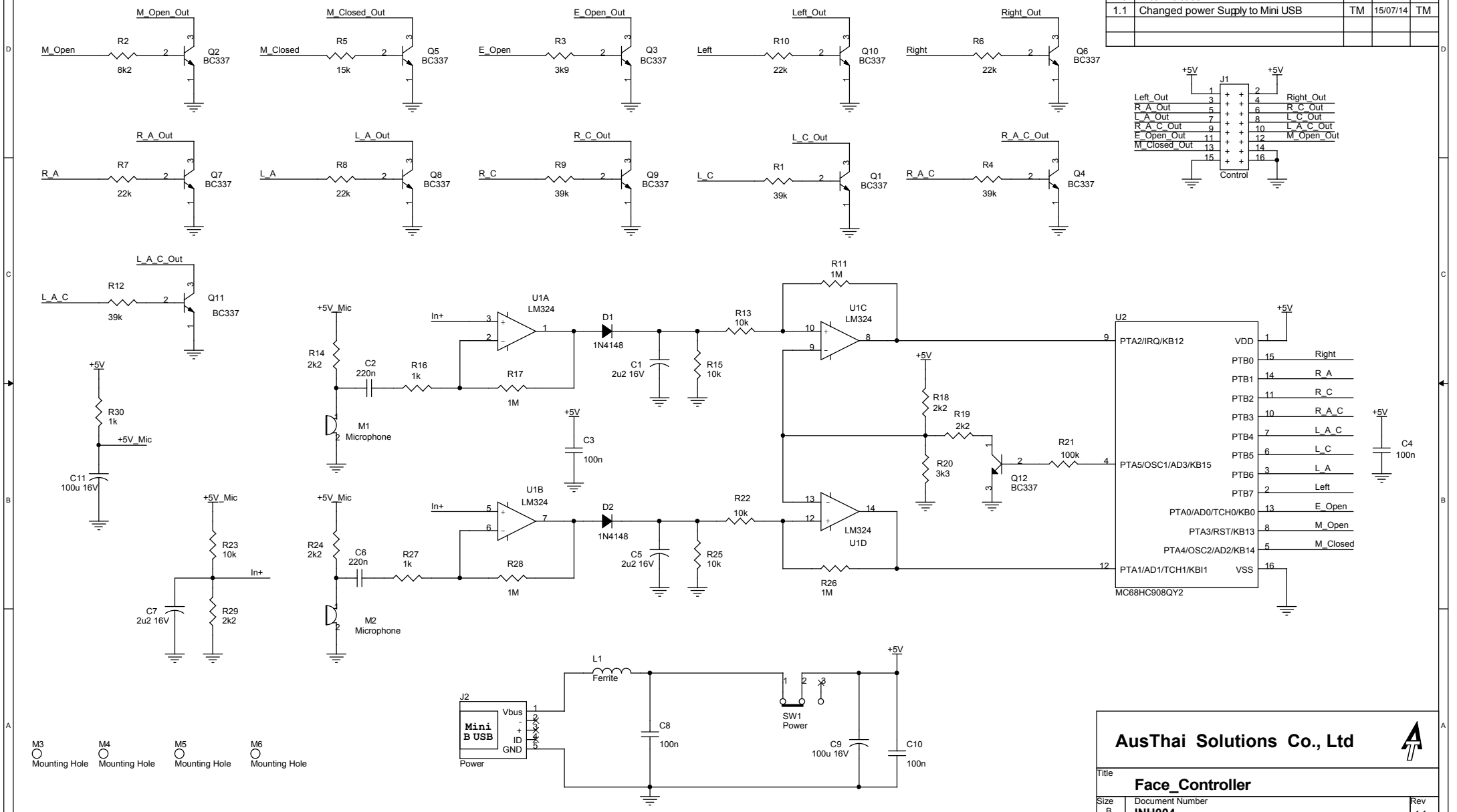


REVISIONS				
REV	DESCRIPTION	DRN	DATE	CHK
0.9	Pre-Release		11/01/10	TM
1.0	Initial Release	KM	08/04/11	TM
1.1	Changed power Supply to Mini USB	TM	15/07/14	TM



AusThai Solutions Co., Ltd

Title: **Face Controller**

Size B: Document Number **INH004** Rev 1.1

Date: Friday, July 18, 2014 Sheet 1 of 1